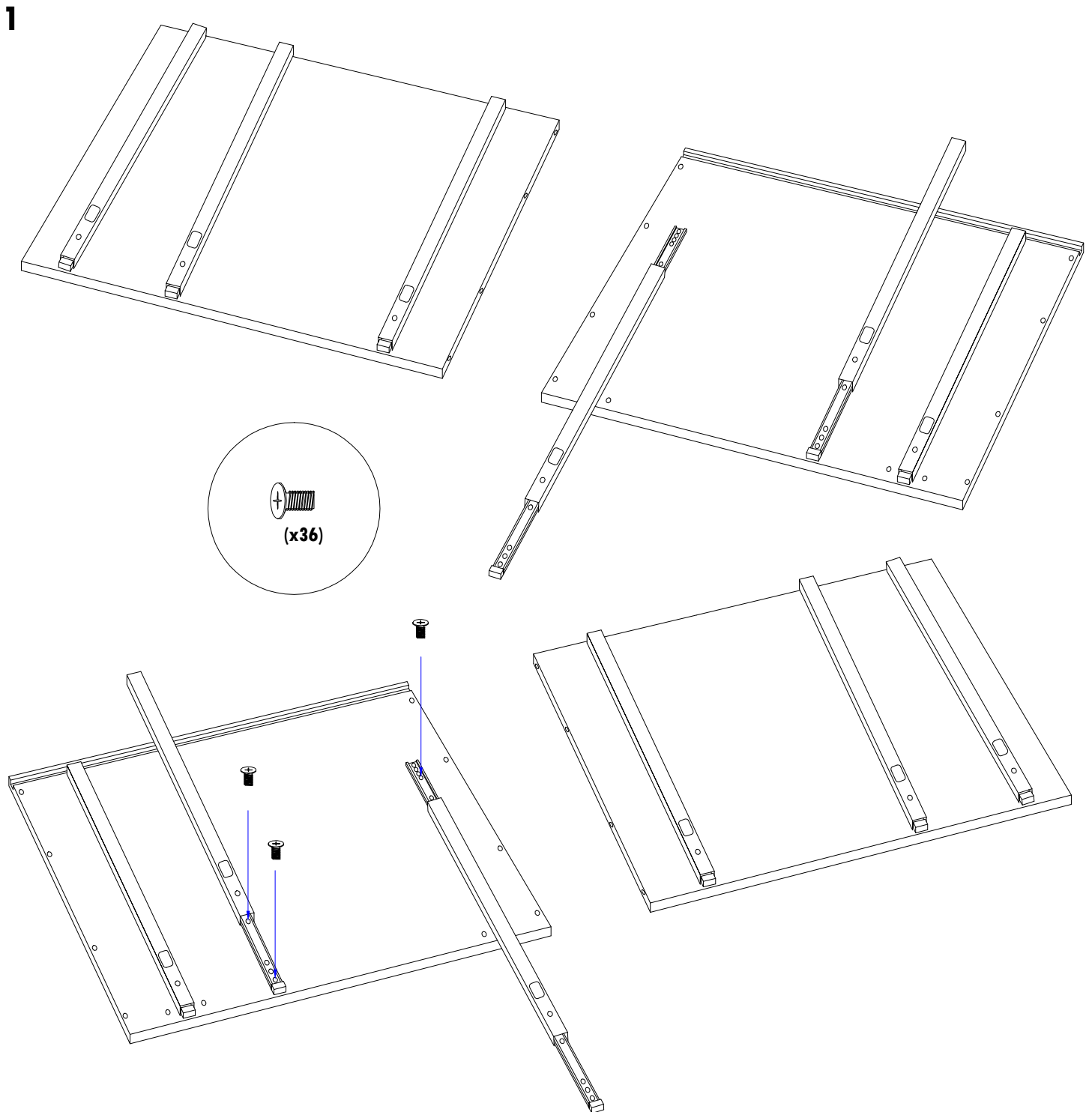
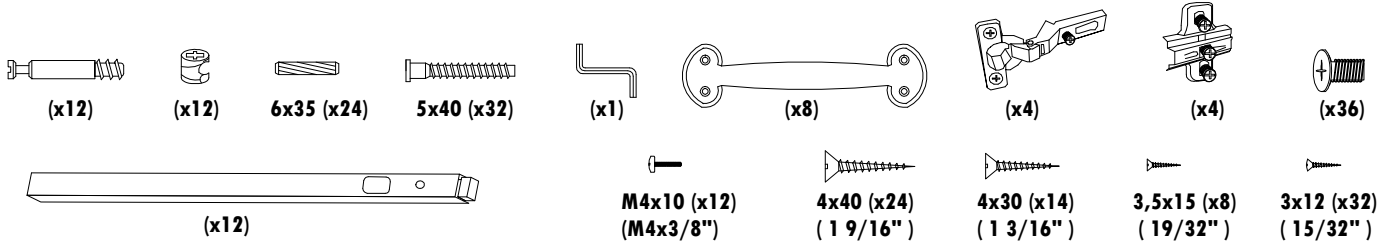


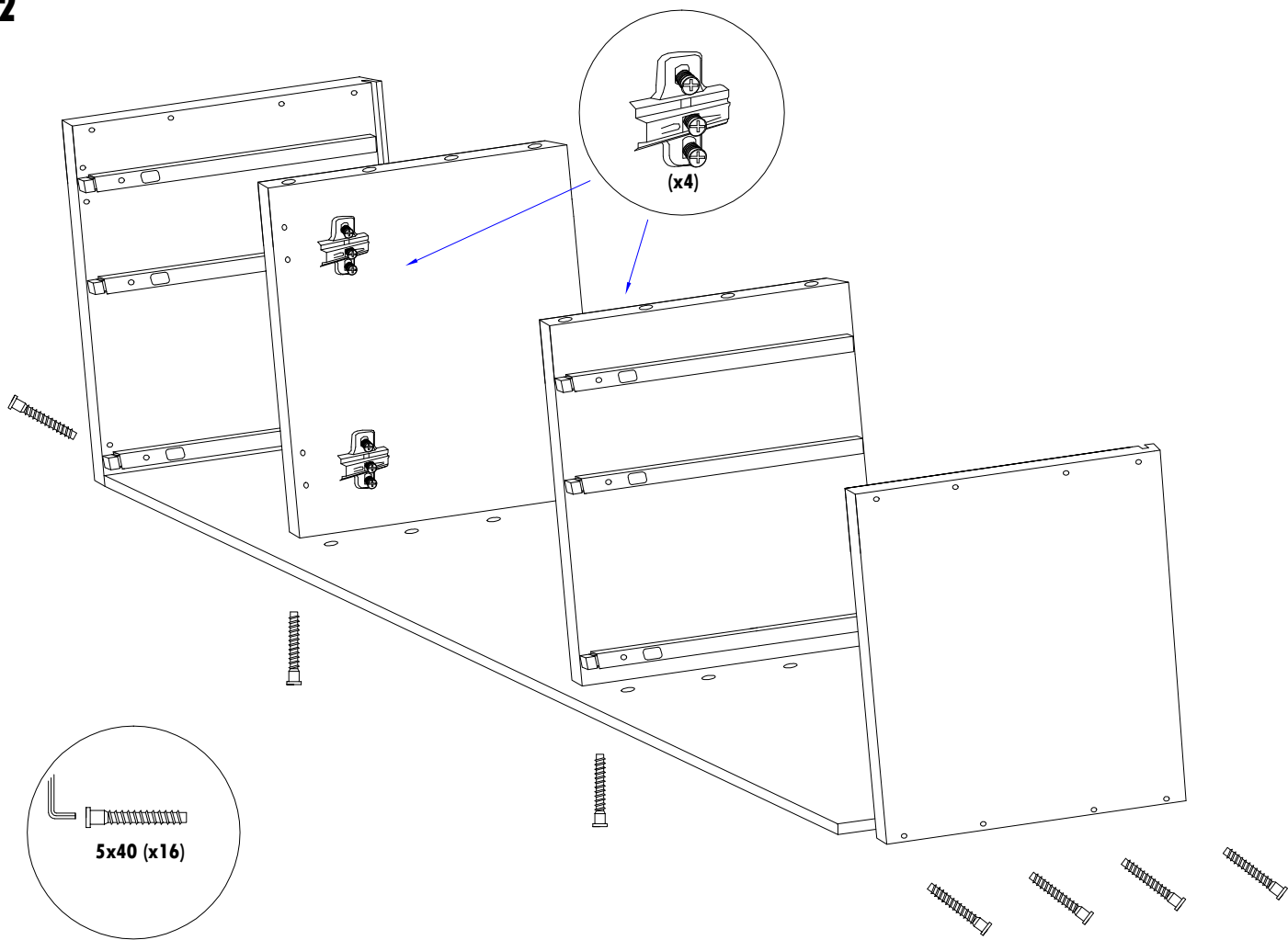
Utförare : PIBL	Artikelnummer: 701 098	Datum : 2007-10-08	Dokumentnamn : MB. 62	Utgåva : 02
--------------------	---------------------------	-----------------------	--------------------------	----------------

# Assembly Instructions - Storage Module 4

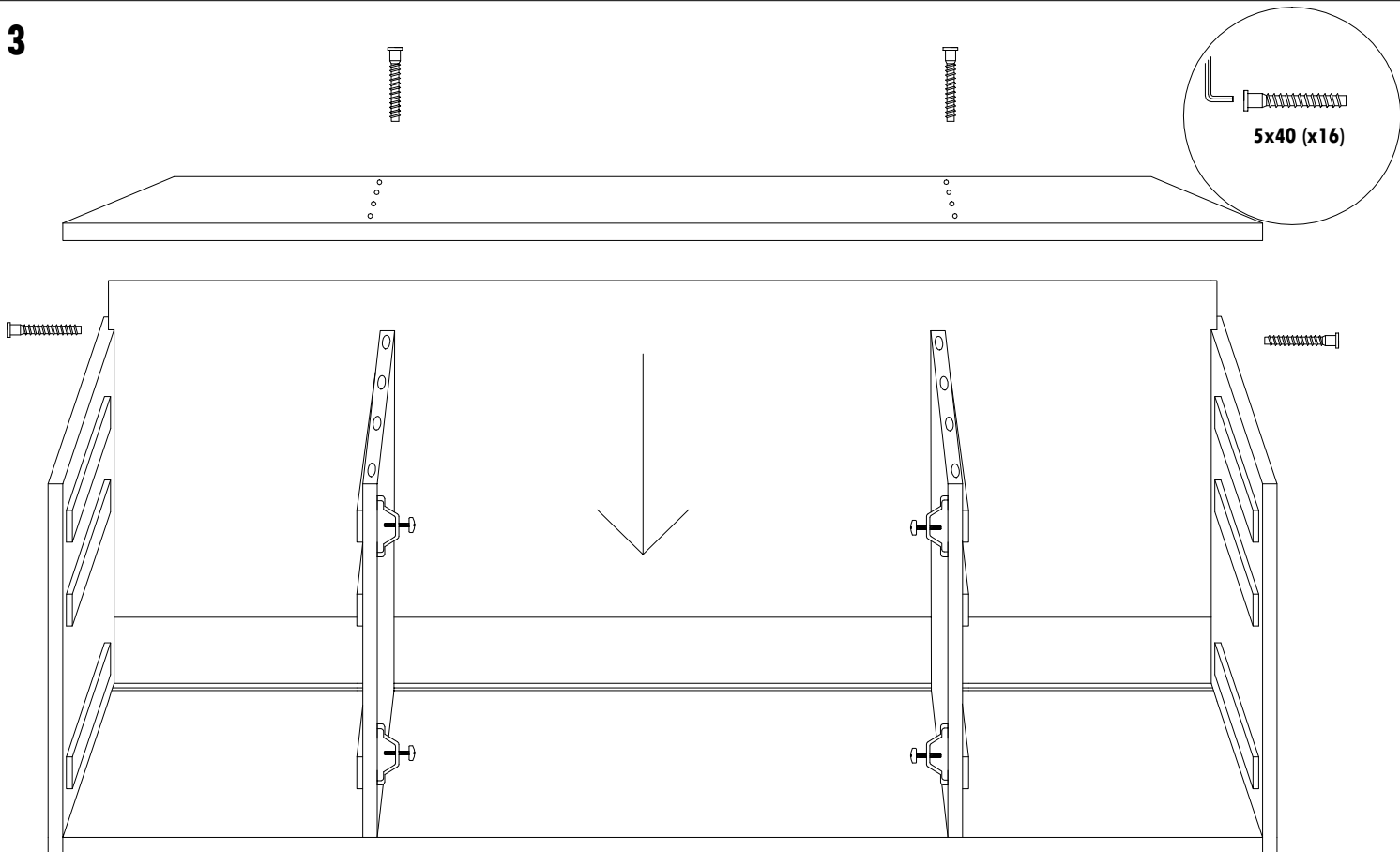


Utförare : PIBL	Artikelnummer: 701 098	Datum : 2007-10-08	Dokumentnamn : MB. 62	Utgåva : 02
--------------------	---------------------------	-----------------------	--------------------------	----------------

2

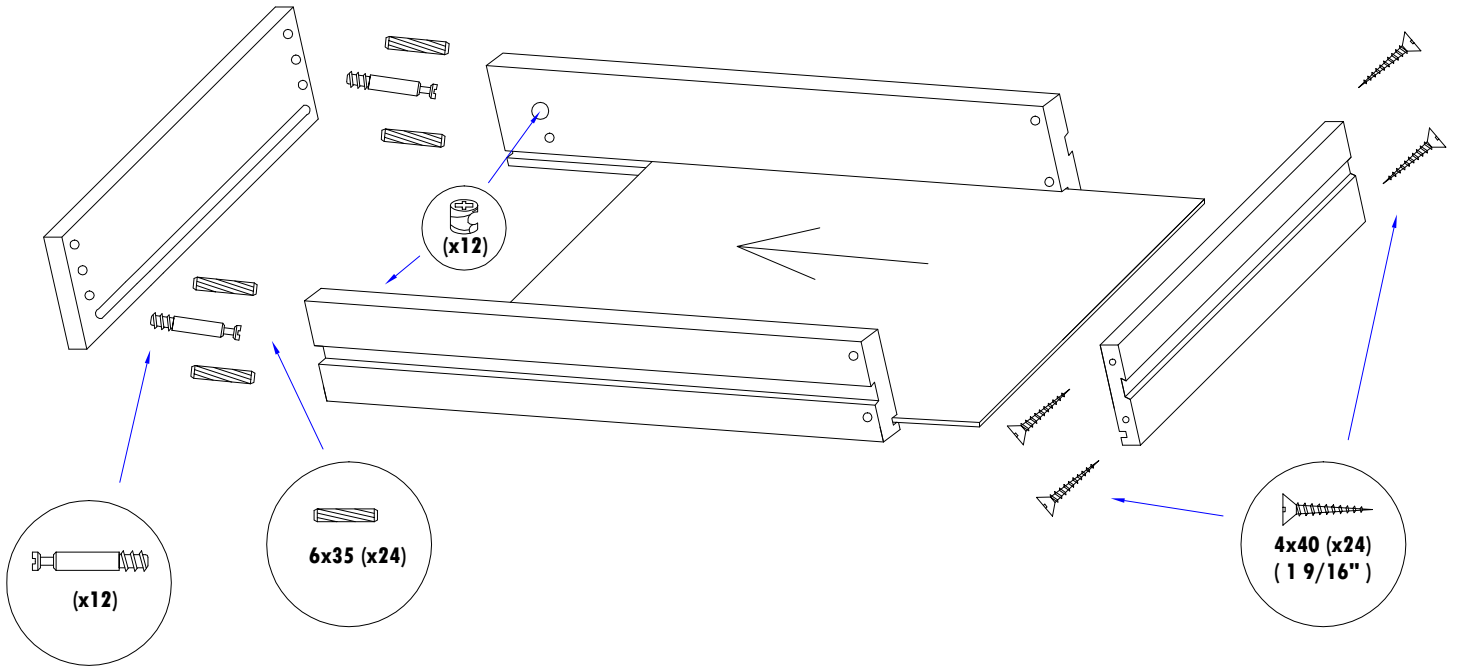


3

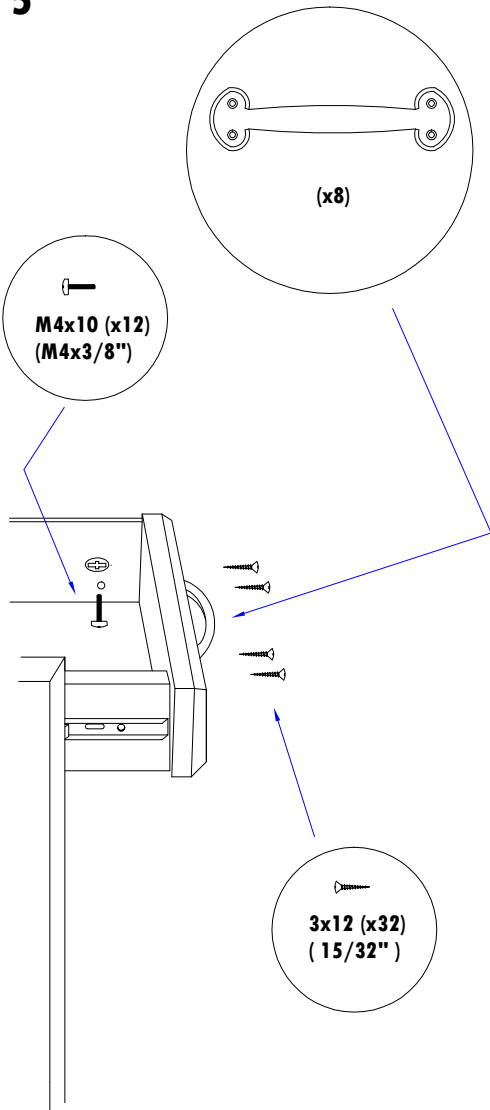


Utförare : PIBL	Artikelnummer: 701 098	Datum : 2007-10-08	Dokumentnamn : MB. 62	Utgåva : 02
--------------------	---------------------------	-----------------------	--------------------------	----------------

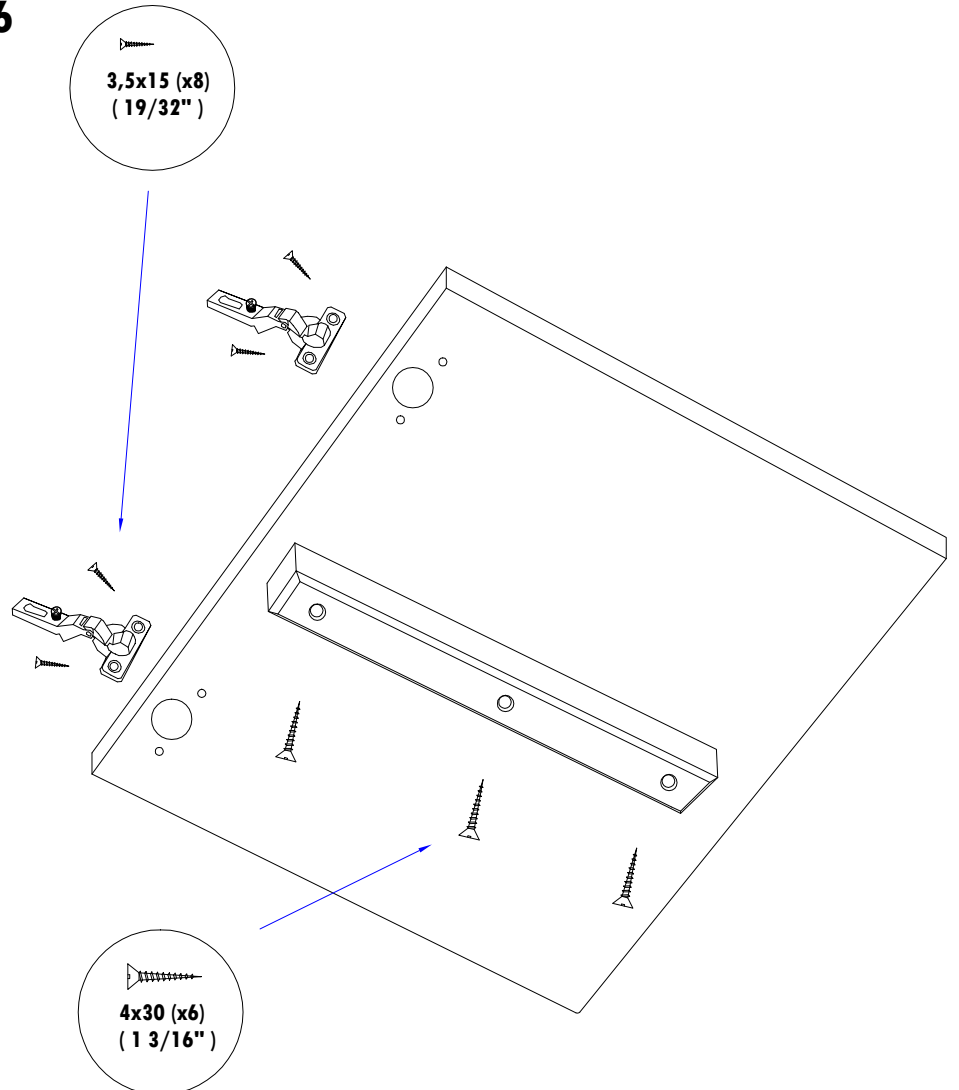
4



5



6



Utförare :  
PIBL

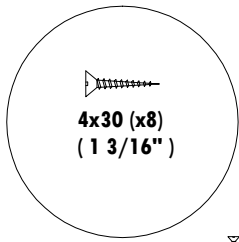
Artikelnummer:  
701 098

Datum :  
2007-10-08

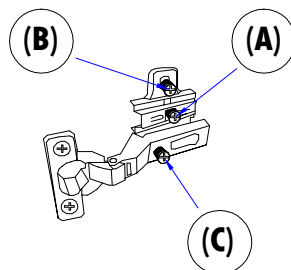
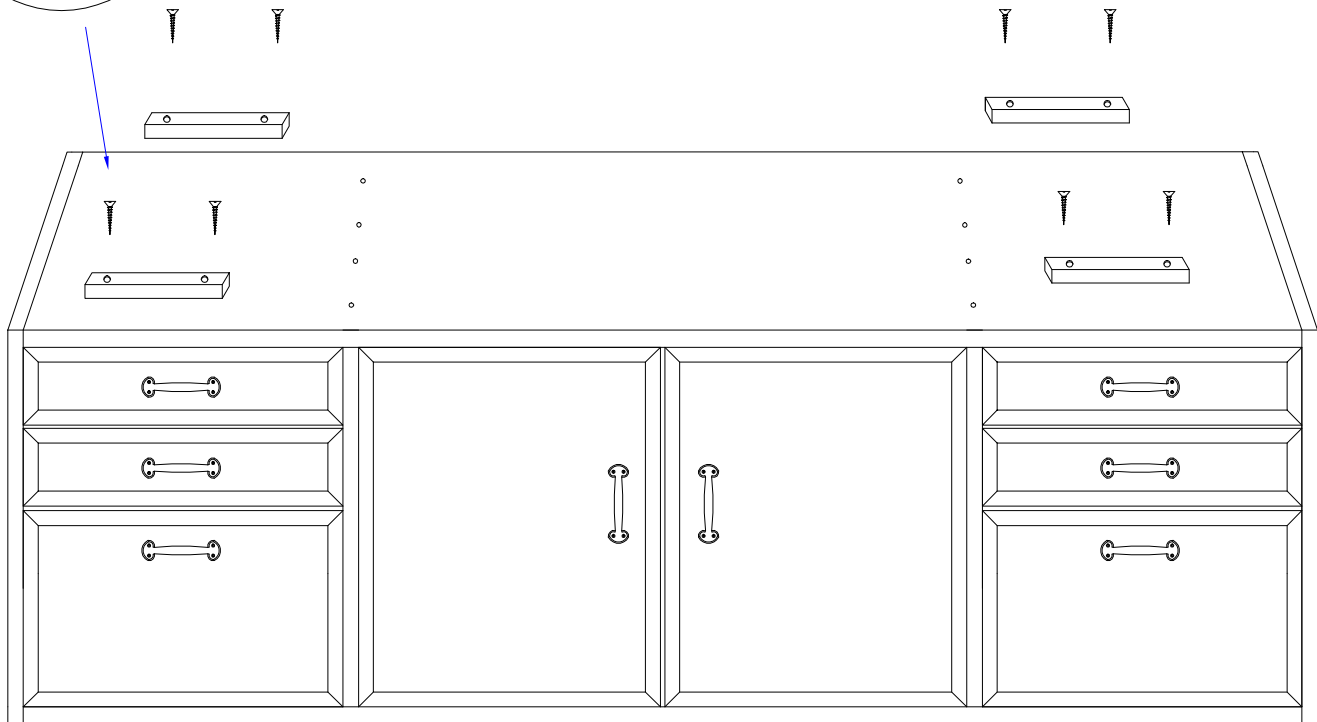
Dokumentnamn :  
MB. 62

Utgåva :  
02

7



When placed correctly in the trestle, lock the Storage Module as shown.



When (A) is loosened, use (B) to adjust door horizontally and (C) to adjust door vertically.

#### LOOKING AFTER YOUR WORKBENCH

The bench must not be left in damp or humid conditions which will cause movements in the wood. The wood used in the construction has been kiln dried and should be treated in the same way as domestic furniture.